

Thumper Jockey Enduro 3000

Install the wire harness:

This kit is designed to draw power from the bike's battery. Route the wire harness from the battery to the front of the motorcycle behind the number plate. In most cases the wire harness will need to be routed under the gas tank. Keep the wire harness away from pinch points and the engine/exhaust. Use zip ties when necessary to keep the harness in place.

The Red wire will need to be attached to the + positive side of the battery.
The Black wire will need to be attached to the - negative side of the battery.

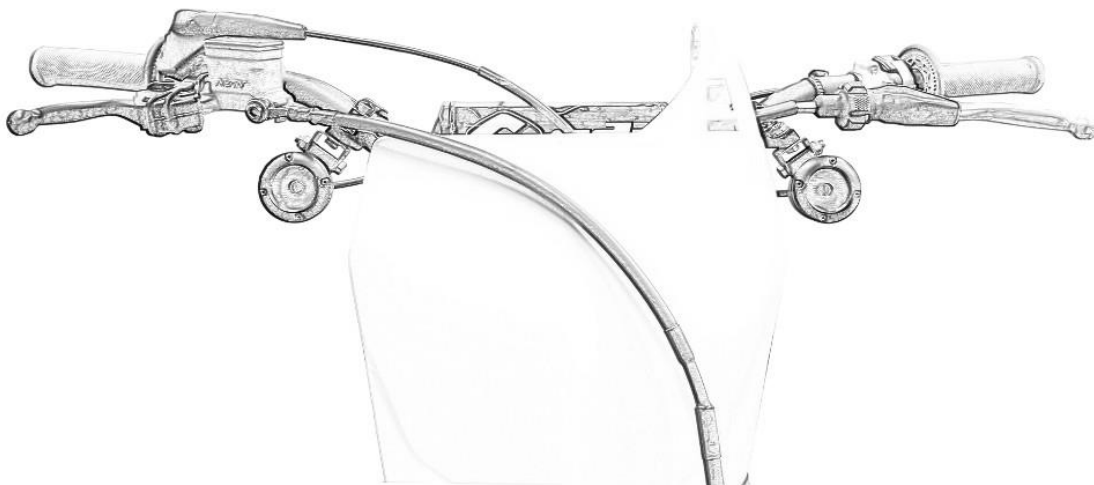
*Do not ground the black wire to the frame. It must be connected to the battery.

Install the switch:

The switch is designed to mount on the handlebars next to the clutch perch or the front brake master cylinder. Use zip ties to keep the wires tight to the handlebars.

Install the lights:

The light mounts are designed to mount on the handlebars (Figure 1). Use the rubber strip between the handlebars and the clamp to prevent slipping on 7/8 inch bars.



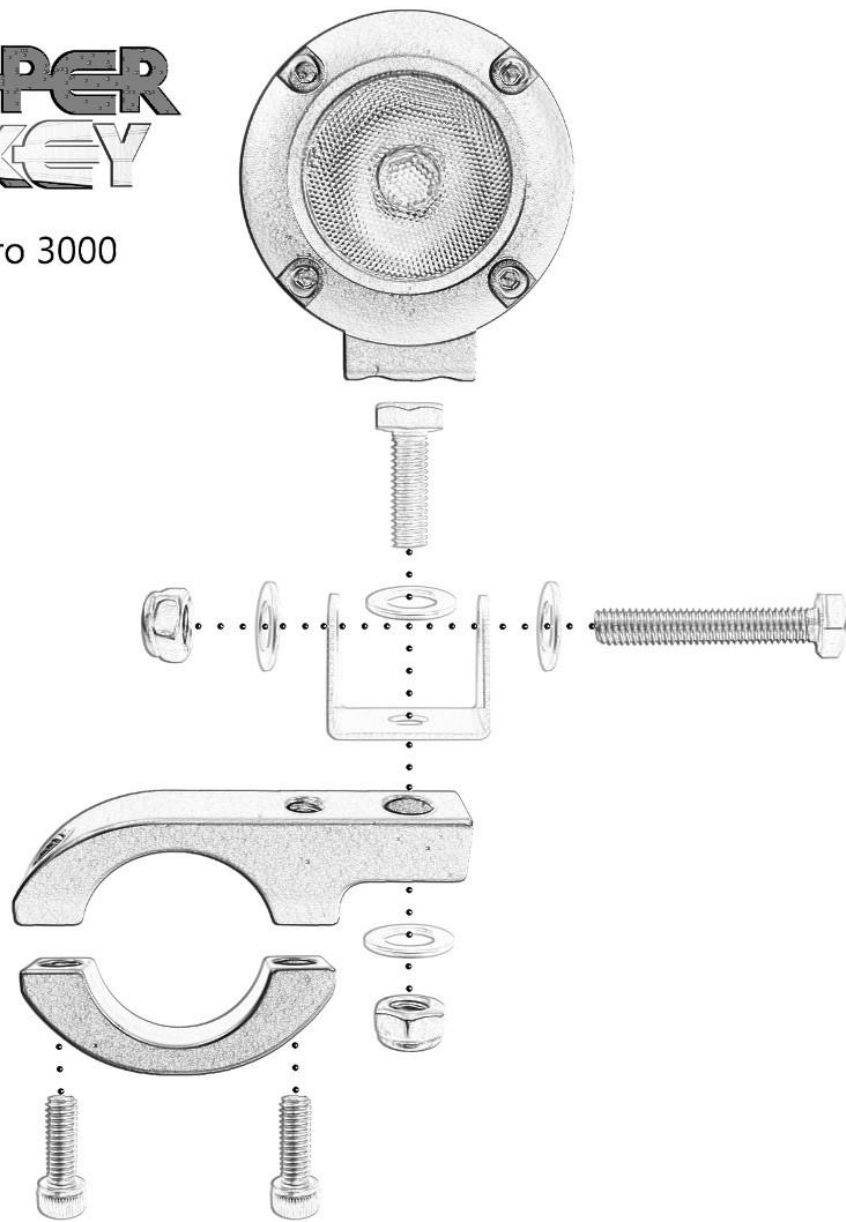
(figure 1)

Light assembly:

The lights should be assembled as shown in (figure 2).

**Thumper
Jockey**

Model: Enduro 3000



(figure 2)

For additional questions please email Thumper Jockey at ThumperJockey@gmail.com